

## Combination Wall Oven

- 1.7 cu. ft. Microwave / Convection / Speed Cook Oven
- 4.7 cu. ft. Oven with Steam Cooking
- EasyClean® + Self Clean
- True Convection Technology
- 2 Heavy Duty Racks and 1 Gliding Rack
- Temperature Probe
- SmoothTouch™ Glass Controls
- LG ThinQ® Technology (Wi-Fi)



### COLOR AVAILABILITY

- LWC3063ST – Stainless Steel
- LWC3063BD – PrintProof™ Black Stainless Steel

### CAPACITY

Oven Capacity	6.4 cu. ft. Total
Upper Oven Capacity	1.7 cu. ft.
Lower Oven Capacity	4.7 cu. ft.

### CONTROLS

Oven Control Type	SmoothTouch™ Glass
Language	English - Spanish - French
Clock	12 Hr or 24 Hr (Option)
Kitchen Timer	Yes
Temperature Unit of Measure	°F or °C
Cooking Complete Reminder Volume	High, Low, Off

### UPPER OVEN FEATURES

Microwave	Yes
Convection Bake	Yes
Broil	Yes
Speed Cook	Yes
Defrost	Yes (4 Options)
Sensor Cook	Yes (9 Options)
Auto Cook	Yes (28 Options)
Soften	Yes (4 Options)
Melt	Yes (5 Options)
Microwave Power Output	950 W
Microwave Mode Power Consumption	1,650 W
Convection Bake Mode Power Consumption	1,600 W
Broil Mode Power Consumption	1,300 W
Convection Element	1,500 W (Hidden)
Broil Element (Upper)	1,200 W (500 W + 700 W)
Broil Element (Lower)	375 W
Glass Tray	Yes
Metal Tray	Yes
Metal Rack	Yes

### LOWER OVEN FEATURES

EasyClean®	Yes
Self Clean	Yes
Variable Cleaning Time	Yes (3, 4, 5 Hrs)
Oven Racks	2 Heavy Duty, 1 Gliding
Number of Rack Positions	5
Temperature Probe	Yes
True Convection	Yes
Convection Conversion	Yes
Convection Element	Yes (2,000 Watts)
Variable Broil	Yes (Full, Center / High, Med, Low)
Broil Element	Inner: 2,500 W Outer: 1,500 W
Broil Element Type	8-Pass
Bake Element	Yes (2,500 W)
Bake Element Type	Hidden (8-Pass)
Steam	Yes (Bake & Roast)
Proof	Yes
Variable Warm	Yes (High, Med, Low)
Automatic Safety Shut-Off	Yes
Oven Lights	2 Halogen

### CONVENIENCE

ADA Compliant	No
Sabbath Mode	Yes (Star-K-Certified)

### SMART FEATURES

Wi-Fi Enabled	Yes
ThinQ®	Yes
Proactive Customer Care	Yes
Voice Control	Google Assistant, Amazon Alexa
SmartDiagnosis™	Yes
Smart Recipe (3rd Party Recipe App)	Yes (Tovala, Innit, SideChef and Drop)

### FINISHES AND APPEARANCE

Fingerprint & Smudge Resistant Exterior	Yes (Black Stainless Only)
Handle / Knobs	ST - Stainless Steel Appearance BD - Black Stainless Steel Appearance
Oven Door Feature	WideView™ Window

### TECHNICAL SPECS

Required Power Supply	240 / 208V, 60Hz, 4-Wire
Minimum Circuit Rating	50 Amp
kW Rating at 240V	7.8 kW
Power Outlet Location	See Installation Diagram

### INCLUDED ACCESSORIES

Glass Tray, Metal Tray, Rack, Broiler Pan & Grid, Meat Probe, 2 Heavy Duty Racks, 1 Gliding Rack, EasyClean® Kit (Spray Bottle & Scouring Pad)

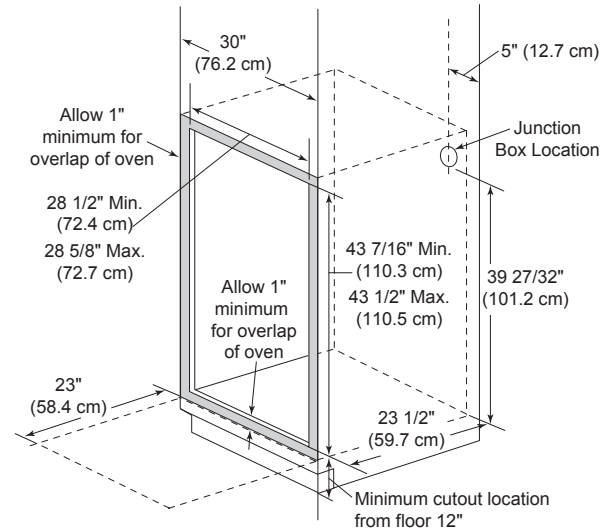
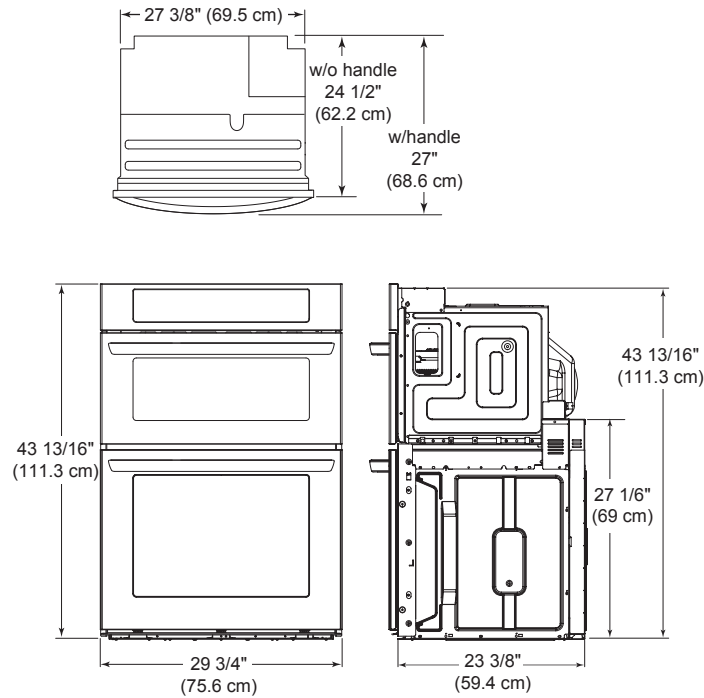
### DIMENSIONS

Product Dimensions (W x H x D)	29 3/4" x 43 13/16" x 24 1/2"
Minimum Cutout Dimensions (W x H x D)	28 1/2" x 43 7/16" x 23 1/2"
Carton Dimensions (W x H x D)	33" x 50" x 30"
Approx. Weight (Product / Carton)	194 lbs. / 244 lbs.

### LIMITED WARRANTY

Parts and Labor	1 Year
-----------------	--------

### DIMENSIONS / CLEARANCES



### INSTALLATION NOTES

- The cabinet base platform must be able to support 325 lbs (147 kg). If the cabinet does not have a solid bottom, two braces or runners must be installed level with the bottom of the cutout to support the weight of the oven. Make sure the base is level and the front of the cabinet is square. If the cabinet base is not level, the oven glides will tend to slide out when opening the door.
- If the cabinet does not have a front frame and the sides are less than 3/4" (1.9 cm) thick, shim both sides equally to establish the cutout width.
- The junction box must be flush with the rear wall of the cabinet as shown above.
- Allow at least a 23" clearance for the door depth when it is open.
- Kitchen cabinets in contact with the oven must be heat resistant up to 194°F (90°C), and fronts of nearby units up to at least 158°F (70°C).

### DIMENSIONS / CLEARANCES

Cabinet Width	30"
Recommended Minimum Cutout Location from Floor	12"
Cutout Depth	23 1/2" Min.
Cutout Width	28 1/2" Min.–28 5/8" Max.
Cutout Height	43 7/16" Min.–43 1/2" Max.